

DX Series Knob Panel



DX63



LITECH

DX63 RGB Knob Panel

1. Technical Specs:

DX63 RGB Knob Panel

| | | | |
|----------------|-------------------|---------------|-------------------|
| Input Voltage: | 100~240Vac | Dimensions: | L86×W86×H50(mm) |
| Output Signal: | RF 2.4GHz, DMX512 | Package Size: | L106×W106×H60(mm) |
| Working Temp.: | -30°C~55°C | Weight(G.W.): | 235g |

R4-5A CV Receiver (receiver is sold separately.)

| | | | |
|------------------|--------------------------------|----------------|------------------|
| Input Voltage: | 5~24Vdc | Working Temp.: | -30°C~55°C |
| Current Load: | 5A × 4CH Max. 20A | Dimensions: | L175×W44×H30(mm) |
| Output Power: | Max.100W/240W/480W(5V/12V/24V) | Package Size: | L178×W48×H33(mm) |
| Wireless Signal: | 2.4GHz | Weight(G.W.): | 150g |

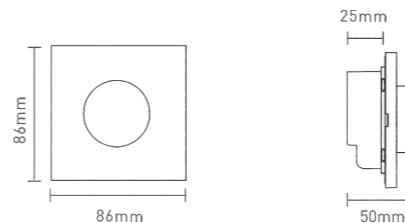
R4-CC CC Receiver (receiver is sold separately.)

| | | | |
|------------------|----------------------------|----------------|------------------|
| Input Voltage: | 12~48Vdc | Working Temp.: | -30°C~55°C |
| Output Voltage: | 3~46Vdc | Dimensions: | L175×W44×H30(mm) |
| Output Current: | CC 350/700/1050mA×4CH | Package Size: | L178×W48×H33(mm) |
| Output Power: | 1.05W~48.3W×4CH Max 193.2W | Weight(G.W.): | 165g |
| Wireless Signal: | 2.4GHz | | |

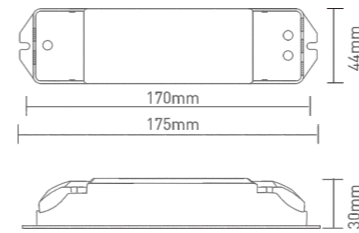
LITECH

DX63 RGB Knob Panel

2. Product Size:



Knob Panel

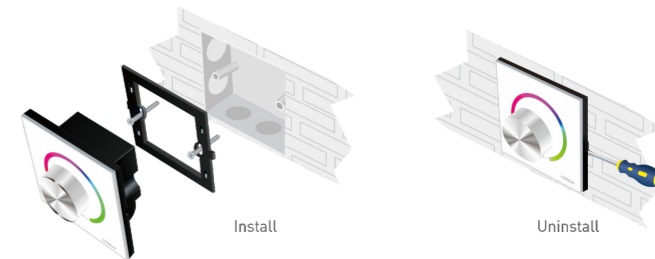


R4-5A/R4-CC Receiver

LITECH

DX63 RGB Knob Panel

3. Installation Instruction:



Install

Uninstall

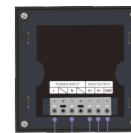
4. Key Functions:



Short press: On/Off.
Long press: Switch RGB/dimming mode.
Spin: Adjust RGB / brightness.

* When powered off, long press the knob for 5 seconds to turn on (off) the key tone.

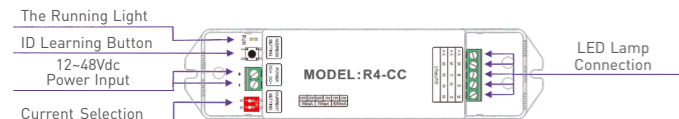
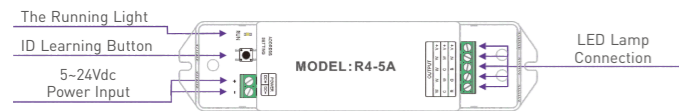
5. Terminals:



100-240Vac Power Input

DMX Signal Output

6. Operating Instruction for Receiver:



(Operation Table)

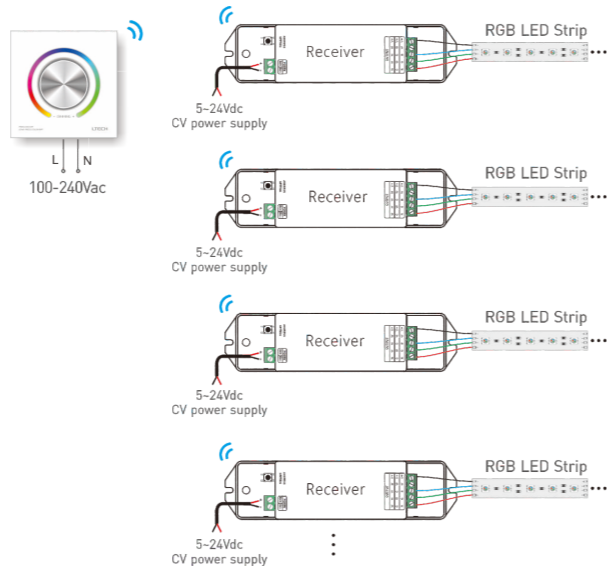
| | | | | | |
|-------|-------|--------|----|----|----|
| OFF | OFF | OFF | ON | ON | ON |
| 350mA | 700mA | 1050mA | | | |

7. Match / Clear code between knob panel & receivers

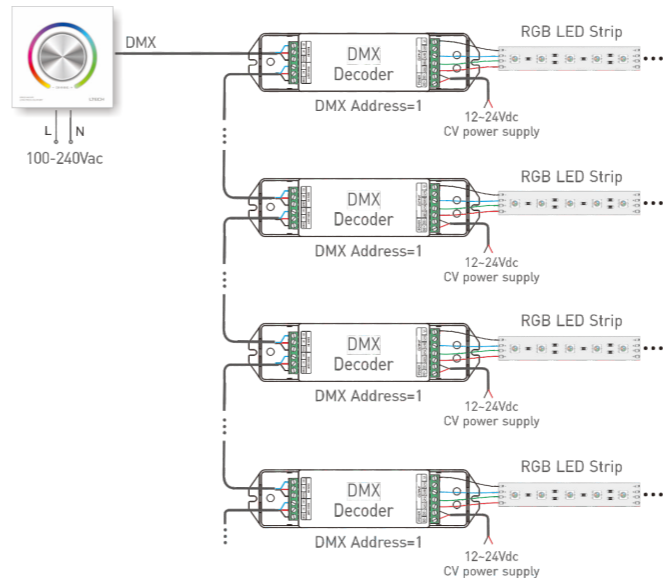
Match Code: Short press "ID learning button" on the R4-5A/R4-CC receiver, the running light keeps on. Then press or spin the knob on the DX63 panel, the buzzer long beep, activated.

Clear Code: Long press "ID learning button" on the R4-5A/R4-CC receiver for 5S, the buzzer long beep, canceled.

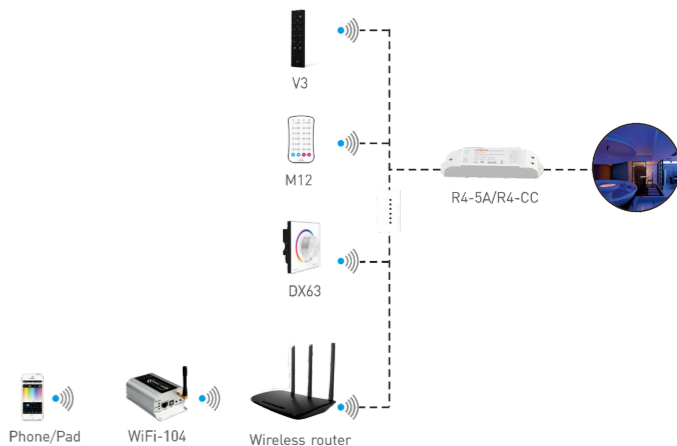
8. Wireless Wiring:



9. DMX Wiring:



10. System Connection Diagram:



Please refer to the relevant product manual for detailed information.